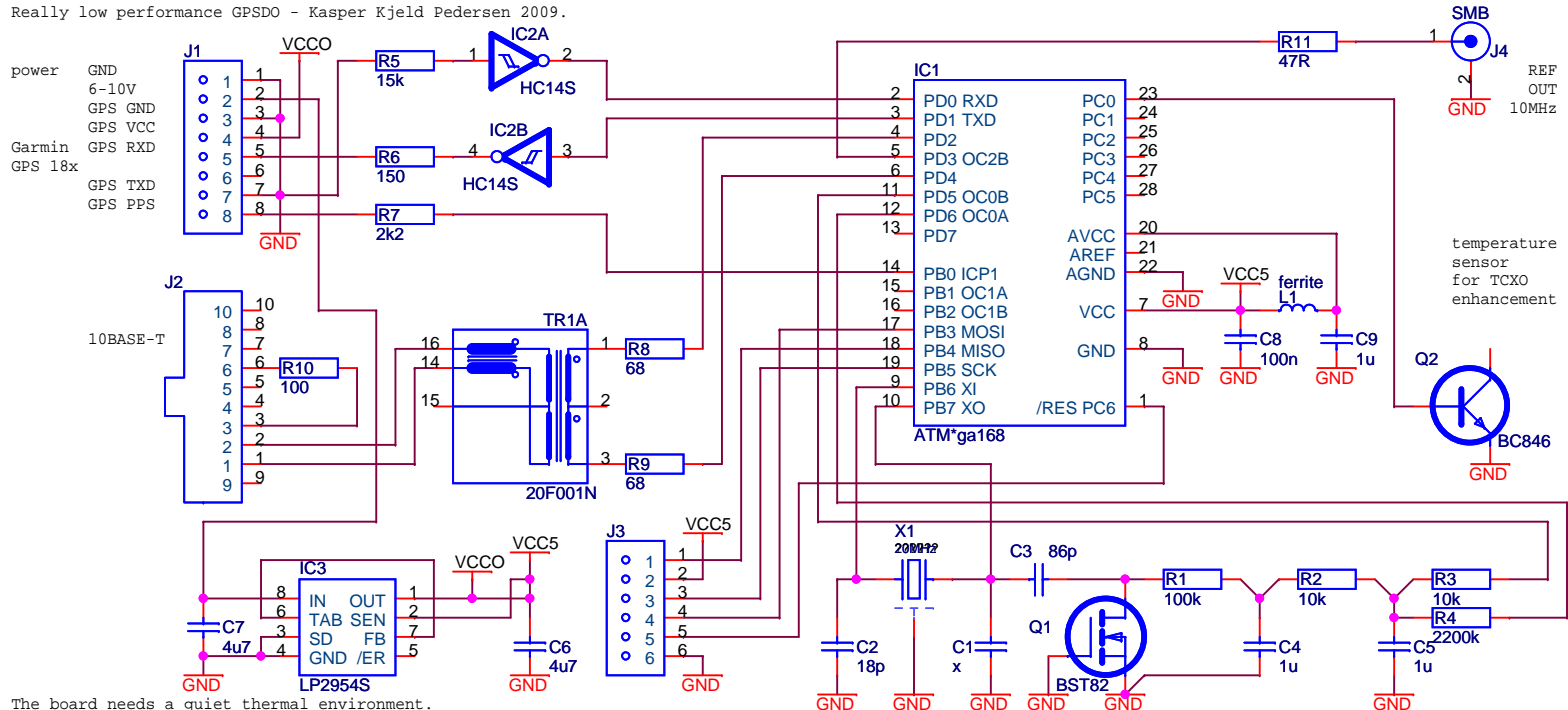


Really low performance GPSDO - Kasper Kjeld Pedersen 2009.



The board needs a quiet thermal environment.  
Performance is improved when GPS VCC is generated on a thermally separate board

C1: Add more until the VCXO is centered

Title		
<Title>		
Size	Document Number	Rev
A4	<Doc>	<RevC>
Date:	Thursday, May 21, 2009	Sheet 1 of 1